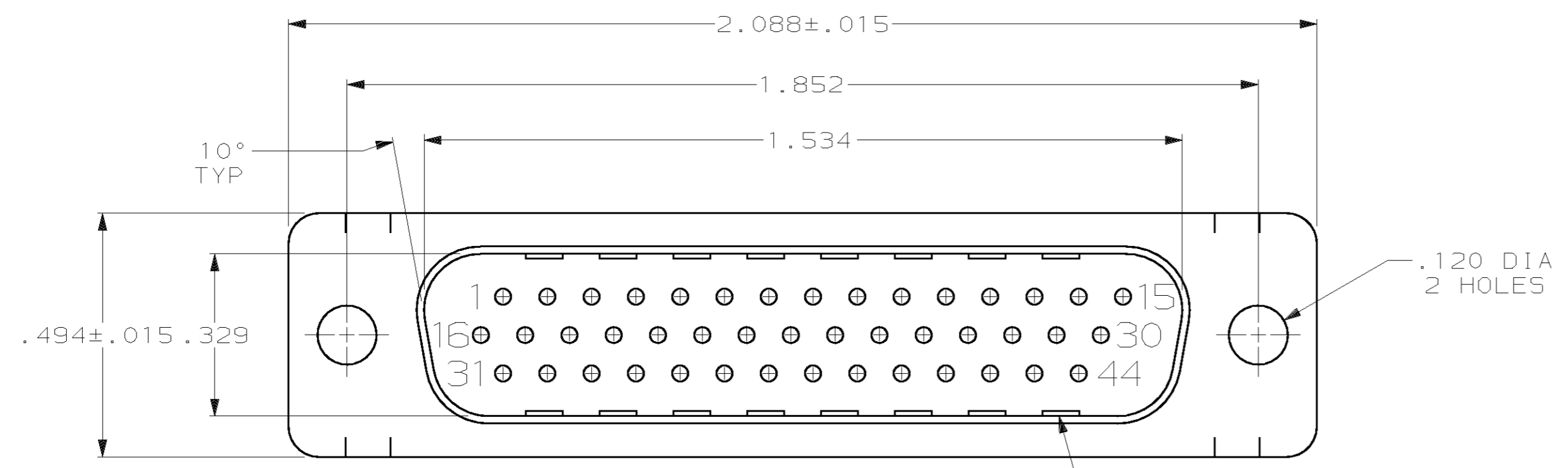
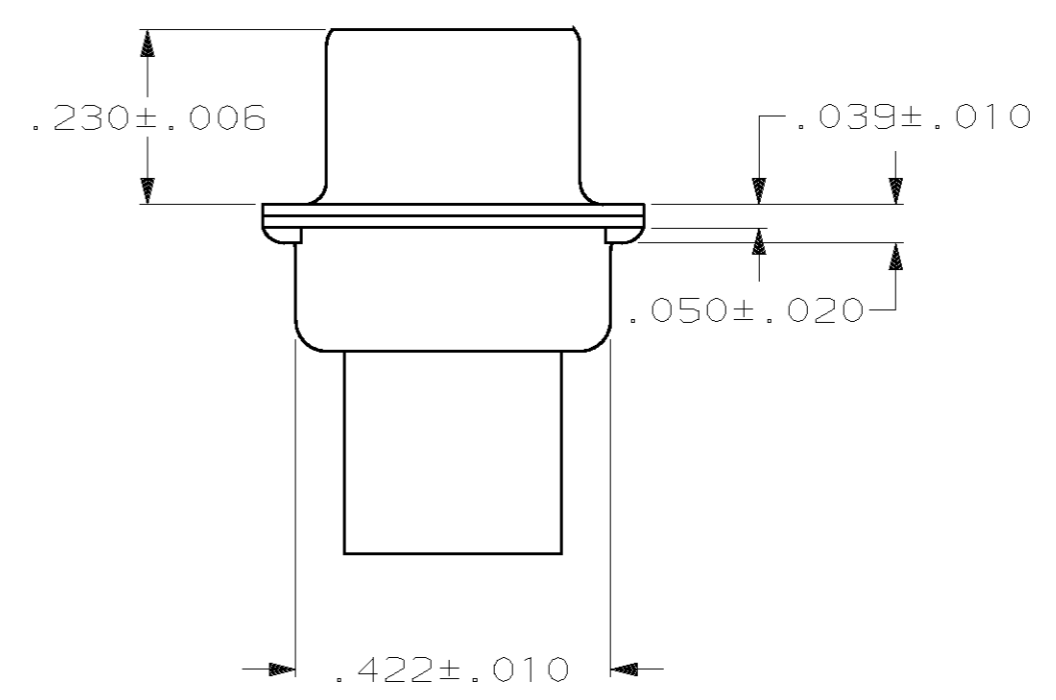
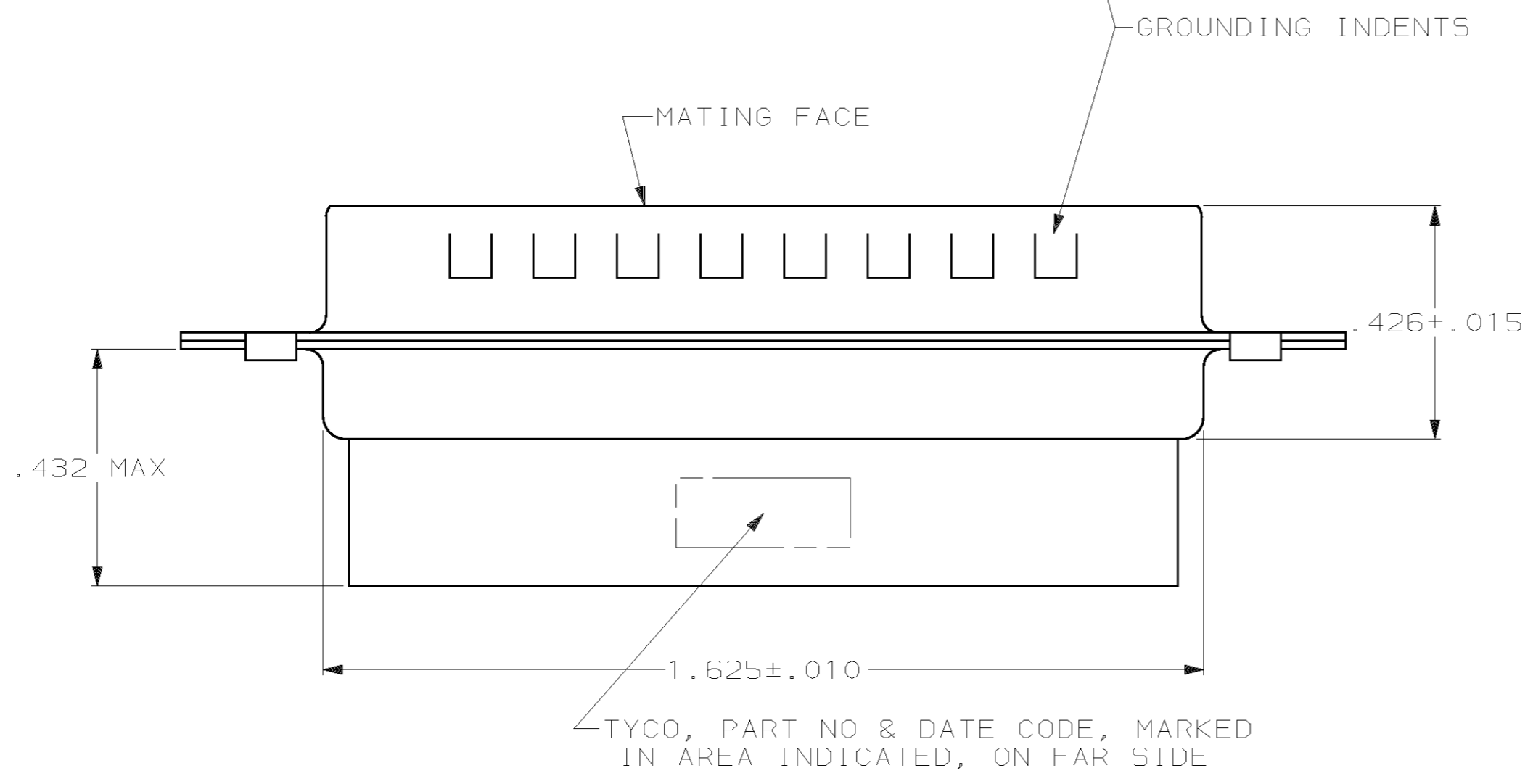


THIS DRAWING IS UNPUBLISHED. RELEASED FOR PUBLICATION
 (C) COPYRIGHT 19 BY AMP INCORPORATED. ALL RIGHTS RESERVED.

LOC		DIST		REVISIONS			
P	LTR	DESCRIPTION	DATE	DWN	APVD		
GP	00						
0		RELEASED PER EC 0513-0209-03	02JAN04	LB	5B		



- CONNECTOR ACCEPTS 22 DF PIN CONTACTS, RETENTION TINES ARE AN INTEGRAL PART OF INSERT.
- FLAME RETARDANT 94V-0 RATED GLASS FILLED NYLON, COLOR: BLACK.
- CARBON STEEL.
- .000200 MIN. TIN PLATE OVER .000100 MIN. COPPER UNDERPLATE.



1658672-1
PART NUMBER

THIS DRAWING IS A CONTROLLED DOCUMENT.		DWN L. BAUM 02JAN04	AMP Incorporated Harrisburg, PA 17105-3608	
DIMENSIONS: INCH		CHK S. BOLASH 02JAN04	NAME PLUG ASSEMBLY, SIZE 3, 44 POSN, HDP-22, AMPLIMITE®	
TOLERANCES UNLESS OTHERWISE SPECIFIED: 0 PLC ±- 1 PLC ±- 2 PLC ±- 3 PLC ±.005 4 PLC ±- ANGLES ±2°		APVD M. WALMSLEY 02JAN04	PRODUCT SPEC 108-1268	RESTRICTED TO
MATERIAL MOLDED PARTS: SHELLS:		FINISH SHELLS:	APPLICATION SPEC 114-10001	SCALE 4:1
		WEIGHT -	SIZE A2 CAGE CODE 00779 DRAWING NO. 1658672	SHEET 1 OF 1
		CUSTOMER DRAWING	REV 0	